

Programmes After Market Services NPC-1 Series Transceivers

General Information

Table of Contents

	Page No
NPC-1 Product Selection	4
Hand portables	4
Desktop Option	5
Mobile Holder (MBC-6) Option	6
Product and Module List.....	7
Technical Specifications	8
General Specifications of Transceiver NPC-1	8

List of Figures

	Page No
Fig 1 Hand portables, Nokia Design and Gradiante Design	4
Fig 2 Desktop option.....	5
Fig 3 Mobile Holder	6

NPC-1 Product Selection

Hand portables

The Nokia 3320 is a TDMA single band (SB), 800MHz + AMPS hand portable telephone. This document describes the main characteristics of this phone.

Figure 1: Hand portables, Nokia Design and Gradiante Design



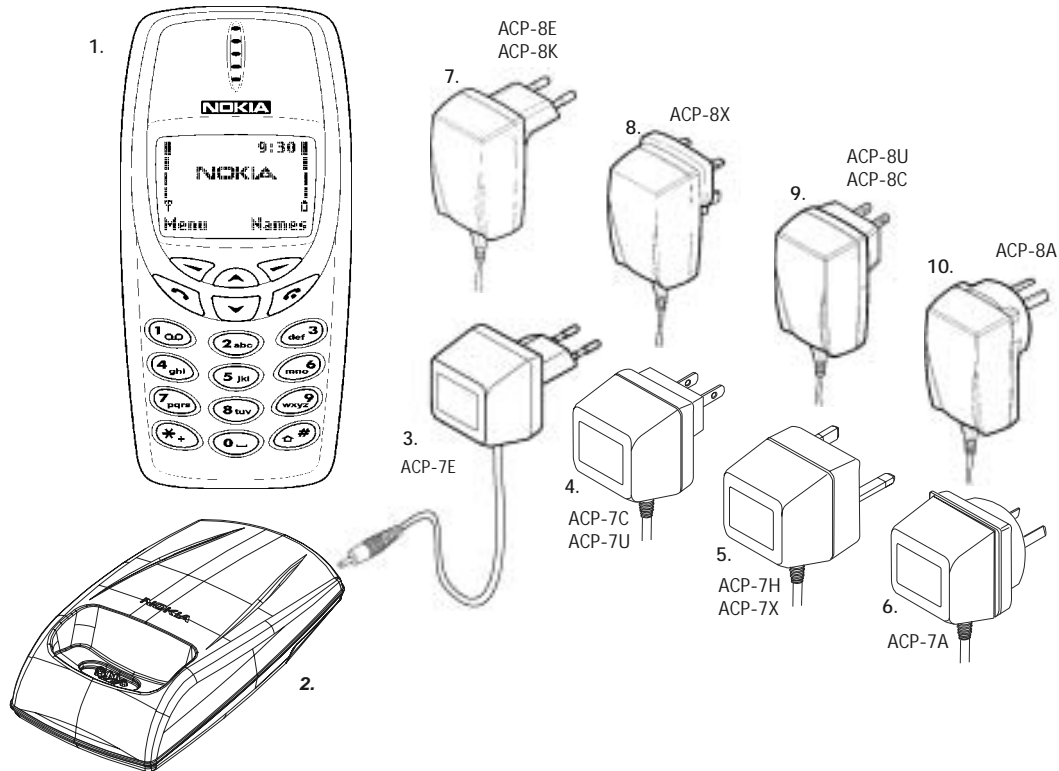
Table 1: Transceiver NPC-1

Name:	Type Code:	Material Code:
Transceiver	(See Product Variants)	

Desktop Option

The desktop option allows the user to charge the phone from the mains.

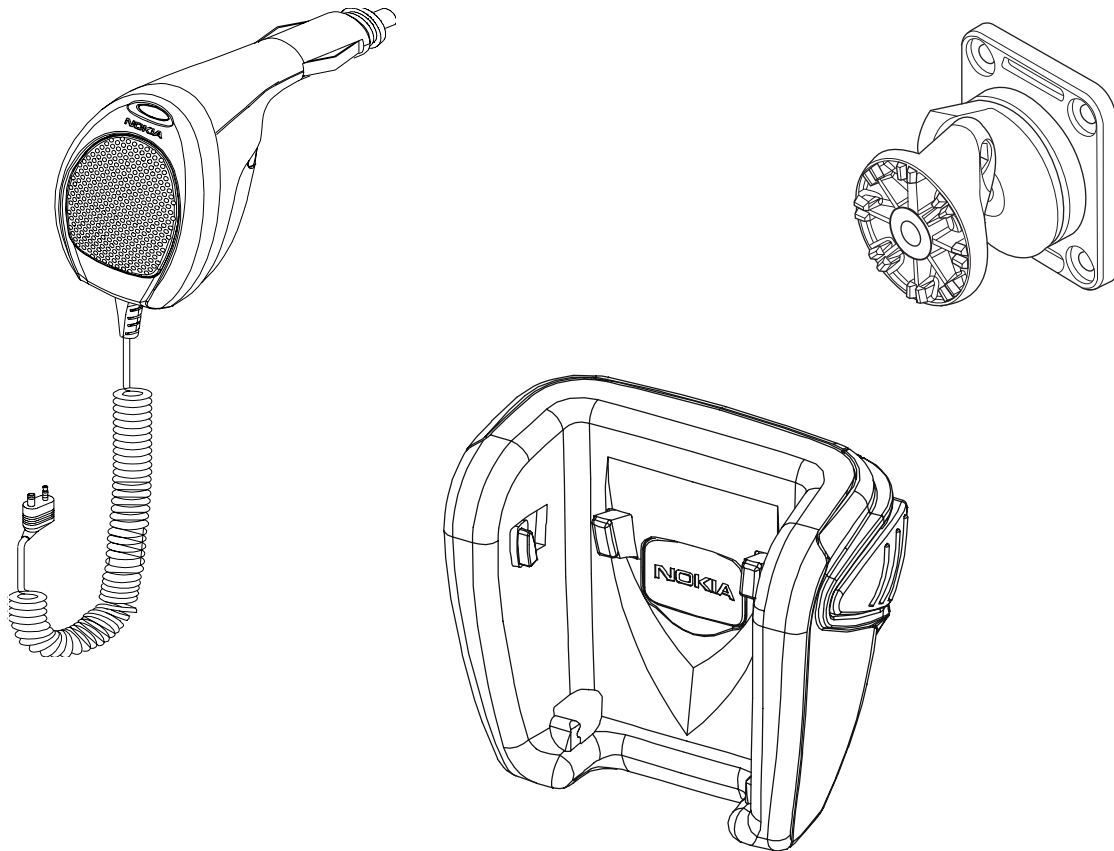
Figure 2: Desktop option



Item	Name:	Type Code:	Material Code:
1.	Transceiver (See Product Variants)		
2.	Desk stand	DCV-10	0675229
3.	AC Travel Charger (Euro plug) 207-253 Vac	ACP-7E	0675144
4.	AC Travel Charger (US plug) 108-132 Vac	ACP-7U	0675143
	AC Travel Charger (US plug) 198-242 Vac	ACP-7C	0675158
5.	AC Travel Charger (UK plug) 207-253 Vac	ACP-7X	0675145
	AC Travel Charger (UK plug) 180-220 Vac	ACP-7H	0675146
6.	AC Travel Charger (Australia plug) 216-264 Vac	ACP-7A	0675148
7.	Performance Travel Charger Euro plug 90-264 Vac	ACP-8E	0675195
	Performance Travel Charger Korea plug 90-264 Vac	ACP-8K	0675199
8.	Performance Travel Charger UK plug 90-264 Vac	ACP-8X	0675197
9.	Performance Travel Charger US plug 90-264 Vac	ACP-8U	0675196
	Performance Travel Charger China plug 90-264 Vac	ACP-8C	0675211
10.	Performance Travel Charger Australia plug 90-264 Vac	ACP-8A	0675214

Mobile Holder (MBC-6) Option

Figure 3: Mobile Holder



Item Name:	Type Code:	Material Code:
Mobile Holder	MBC-6	0650026
Transceiver (Not included)	(See Product Variants)	
Swivel Mount	HHS-9	0620037
Hands Free Microphone	HFM-8	0690016
Hands Free Cigarette Lighter Charger	PPH-1	0675182

Product and Module List

Unit/Type:	Product Code:
Transceiver NPC-1	See Product Variants
Standard Battery BLC-2 (Li-ION) 850 mAh	0670343
Standard Battery BMC-2 (NiMh) 900 mAh	0670323
Standard Battery BMC-3(NiMh) 850 mAh	0670324
AC Travel Charger ACP-7E (EURO) 207-253 Vac	0675144
AC Travel Charger ACP-7U (US) 108-132 Vac	0675143
AC Travel Charger ACP-7C (US) 198-242 Vac	0675158
AC Travel Charger ACP-7X (UK) 207-253 Vac	0675145
AC Travel Charger ACP-7H (UK) 180-220 Vac	0675146
AC Travel Charger ACP-7A (AUS) 216-264 Vac	0675148
Performance Travel Charger ACP-8E (EURO) 90-264 Vac	0675195
Performance Travel Charger ACP-8K (KOREA) 90-264 Vac	0675199
Performance Travel Charger ACP-8X (UK) 90-264 Vac	0675197
Performance Travel Charger ACP-8U (US) 90-264 Vac	0675196
Performance Travel Charger ACP-8C (CHINA) 90-264 Vac	0675211
Performance Travel Charger ACP-8A (AUS) 90-264 Vac	0675214
Headset HDE-2	0694075
Headset HDC-5	0694059
Loopset LPS-3	0630244
Battery Charging Stand DDC-1	0675243
Desk Stand DCV-10	0675229
Swivel Mount HHS-12	0620054
HF Microphone HFM-8	0690016
Plug & Play HF Cigarette Lighter Charger PPH-1	0675182
Cigarette Lighter Charger LCH-8	0675231
Cigarette Lighter Charger LCH-9	0675120

Technical Specifications

General Specifications of Transceiver NPC-1

Parameter	Unit
Cellular System	TDMA800 + AMPS
RX frequency band	869.01... 893.97 MHz
TX frequency band	824.01... 848.97MHz
Output power	-5...+28 dBm / 0.3 mW... 630mW
Number of RF channels	832
Channel spacing	30 kHz